

POUYA

Power_system Online_simulation Unveil Your Analysis

A Real Time Simulator



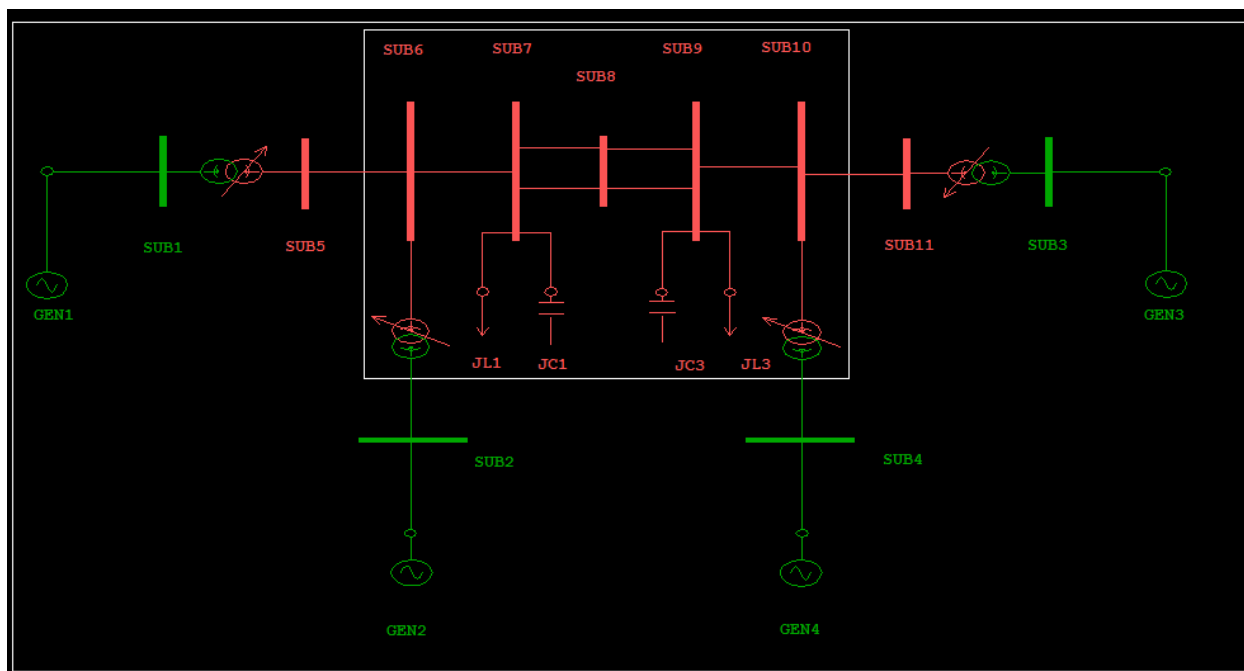

Examine the behavior of a network from a book in real time mode

Book: Power system stability and control

WRITER: P. KUNDUR

PUBLISHED: 2005

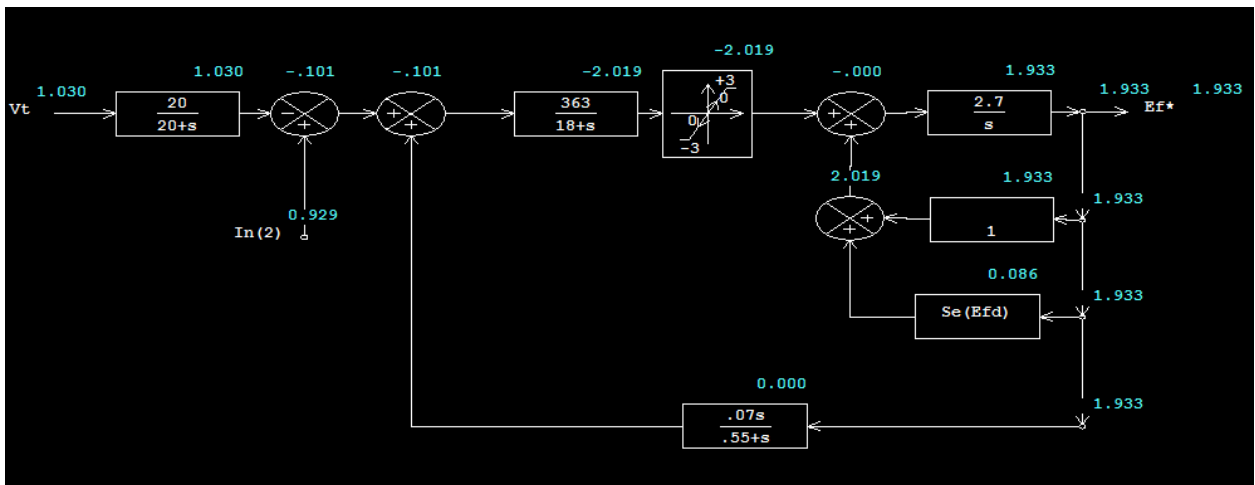
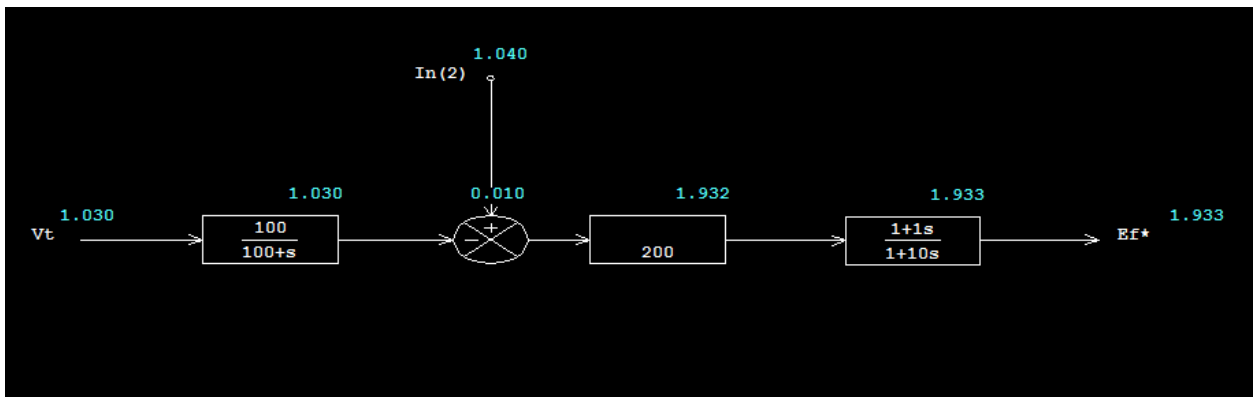
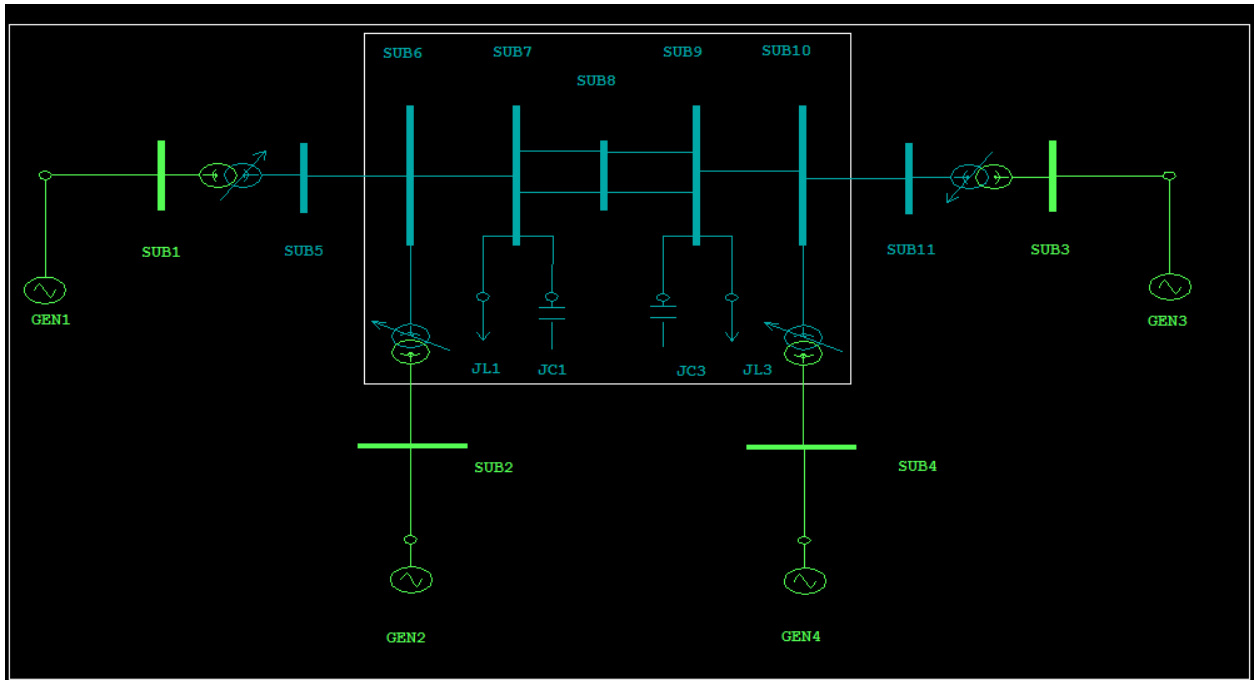
Page: 809 two-area system frequency oscillation



EXERCISES

- 1- Bring the network and find the line outage , load changing , etc.... effects;
- 2- incze the generator output just by clicking on that and see the osillations;
- 3- do not go through cumbersome eigen value solution, just get it by simulation;
- 4- Register for a related class to find out more.
- 5-Bring the networks (b) I, II,III,IV and observer the AVR actions in real time simulation

“The software owner retains copyright © to the software manuals”



“The software owner retains copyright © to the software manuals”