

POUYA

Power_system Online_simulation Unveil Your Analysis

A Real Time Simulator



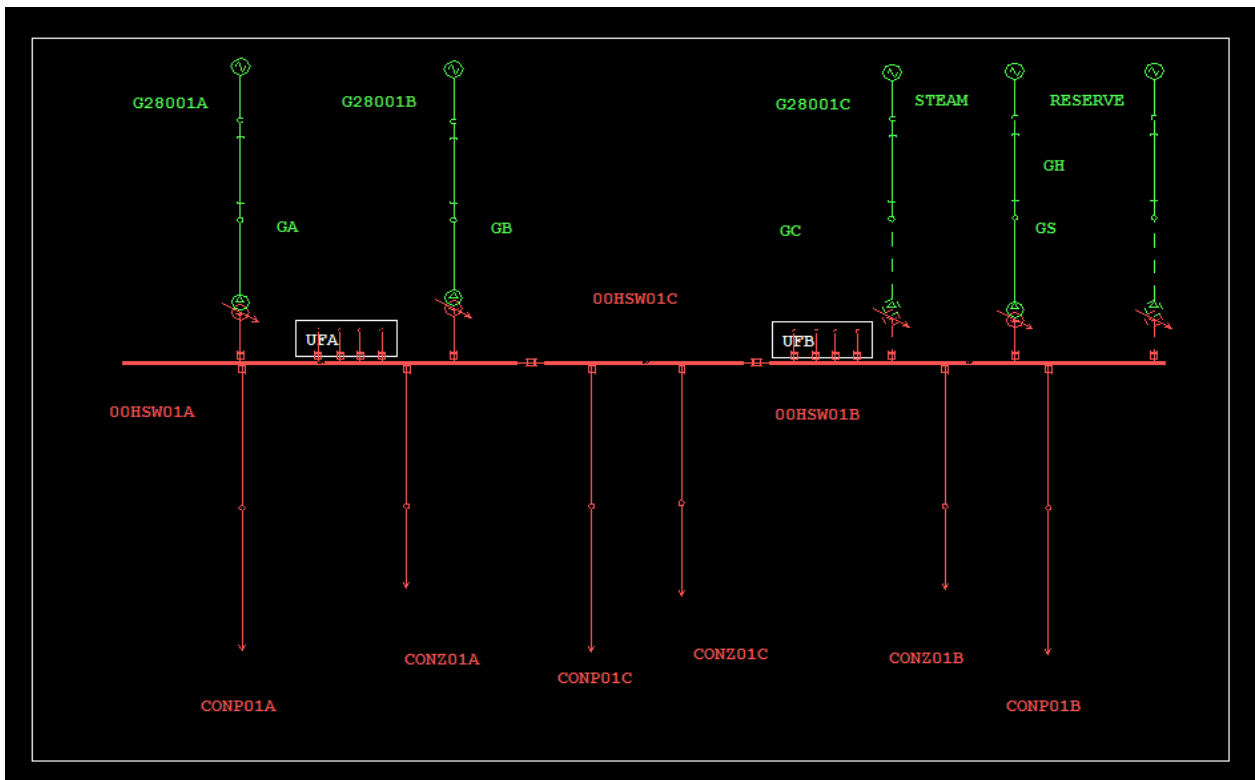
LOAD SHEDDING IN AN OIL REFINERY WITH COMBINED CYCLE PLANT

Power system operation

Experiment load shedding and under frequency relay behavior

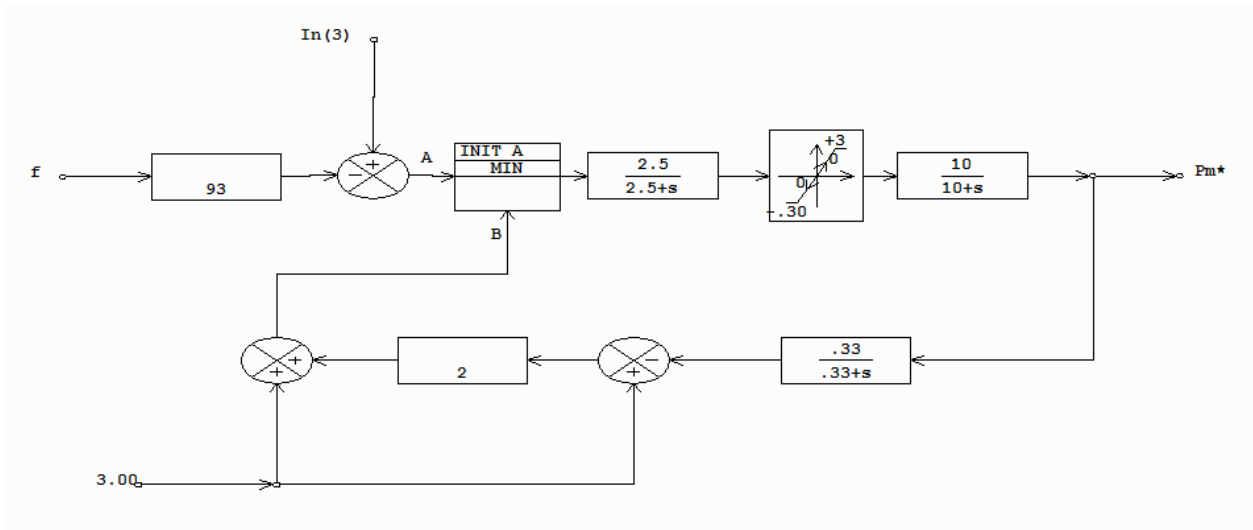
Enter these values on exercise sheet: <http://www.intelectri.com/sheet/8>

Combined cycle plant with gas and steam generation feeding 69MW load



“The software owner retains copyright © to the software manuals”

GAS Turbine Governor



EXERCISES

- 1- Bring the network and change the load ;
- 2- Open the gas unit transformer;
- 3- Open the steam unit transformer;
- 4- Increase the loads;
- 5- Put fault on the junctions;
- 6- Put fault on the busbars;
- 7- Observe the under frequency relay operations;
- 8- Observer the total generation;
- 9- Observer the running cost of the plant;
- 10- Observe the frequency of the generators and the system.
- 11- Which relay is not appropriately set?
- 12- Can you imagine why it is not set correctly. Directional relay will confuse in case of a close fault!