

# POUYA

**P**ower\_system **O**nline\_simulation **U**nveil **Y**our **A**nalysis

A Real Time Simulator



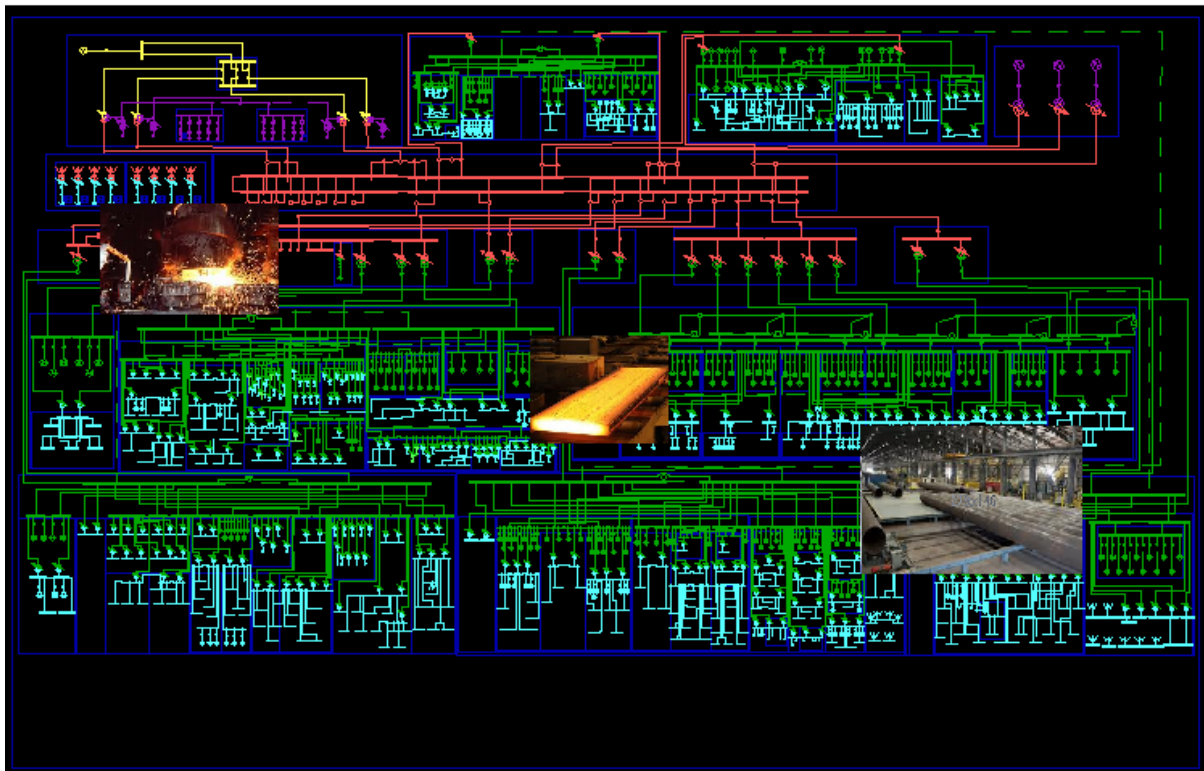
**Examine the behavior of a steel mill with arc furnaces and SVC**

Reference: Author experience

WRITER:

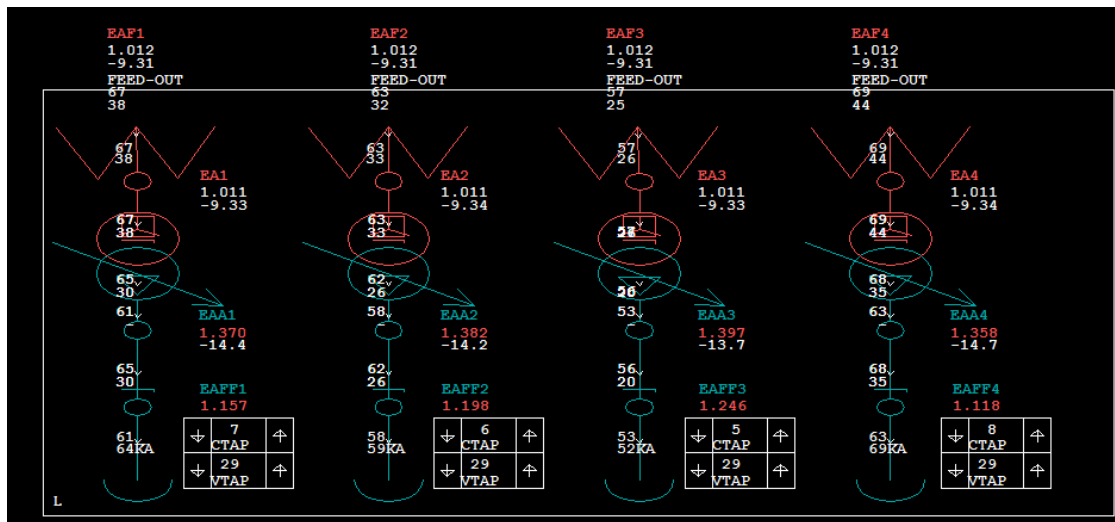
PUBLISHED: 1996

A steel mill plant with 600MW power consumption 400, 63, 33, 15, 6.6 kV, 400V

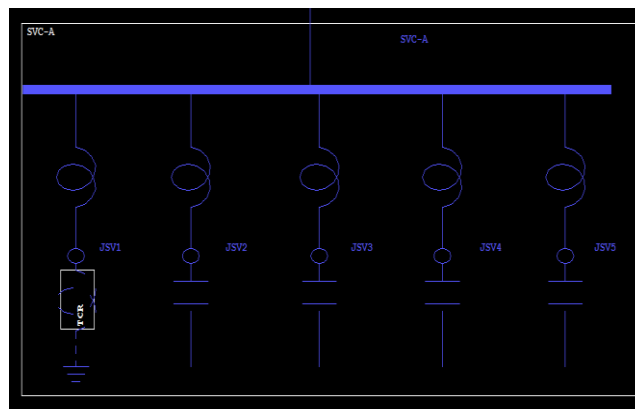


“The software owner retains copyright © to the software manuals”

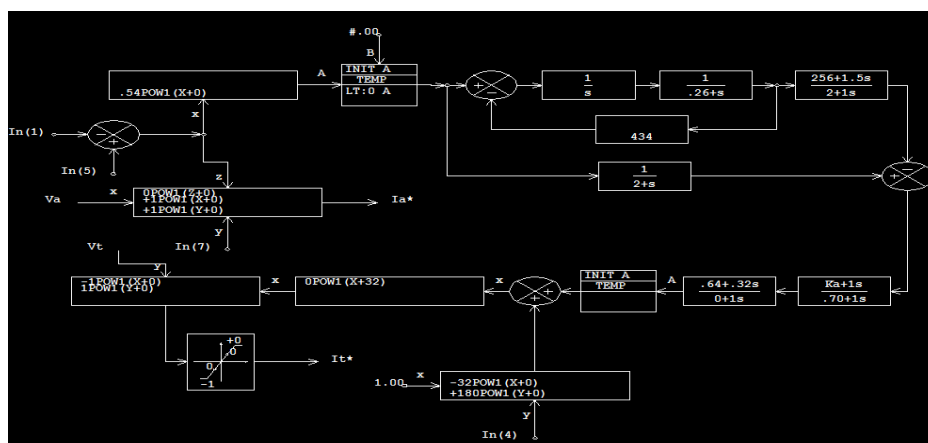
**Arc furnace station of the plant**



**SVC of the plant**



**ARC furnace model**



“The software owner retains copyright © to the software manuals”

## **EXERCISES**

- 1- Bring the simplified network and find the arc furnace behaviour;
- 2- Bring the simplified network and find the SVC behaviour;
- 2- Play with arc furnaces control knobs;
- 3- Bring the actual network and find the arc furnace and SVC behaviour;
- 4- Put fault and observe the relay actions;
- 5- Register for a related class to find out more about the steel mill plant secrets.